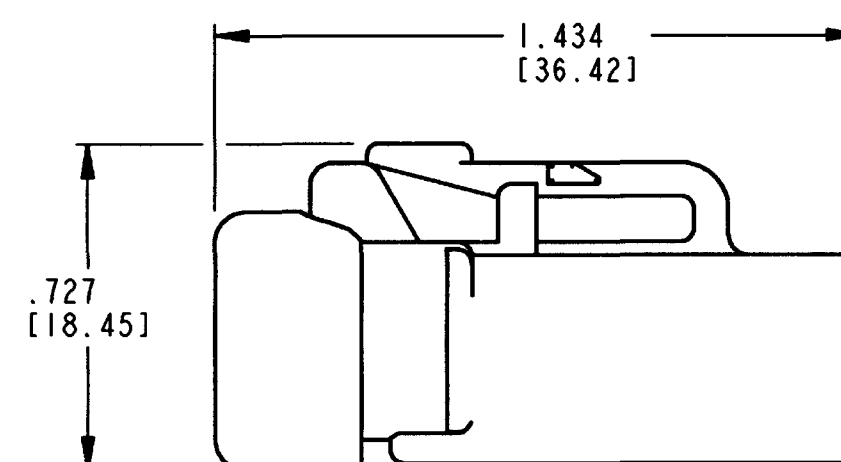
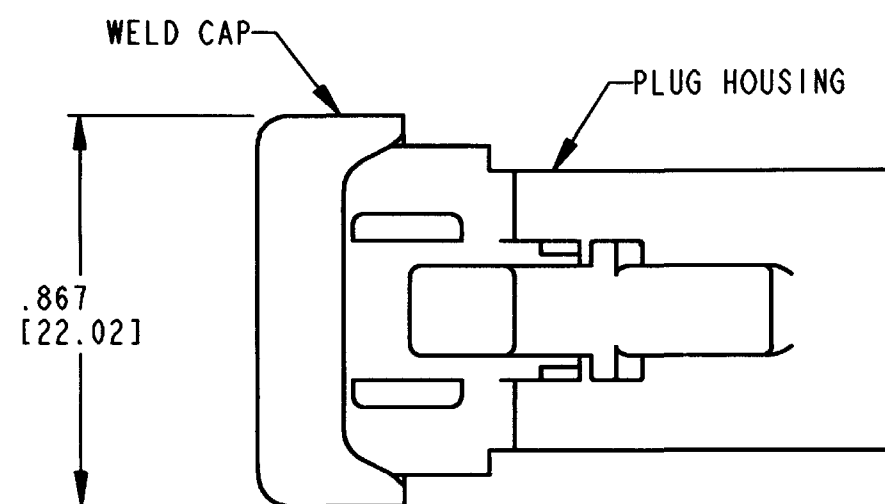
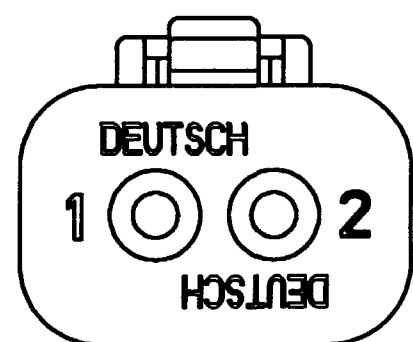
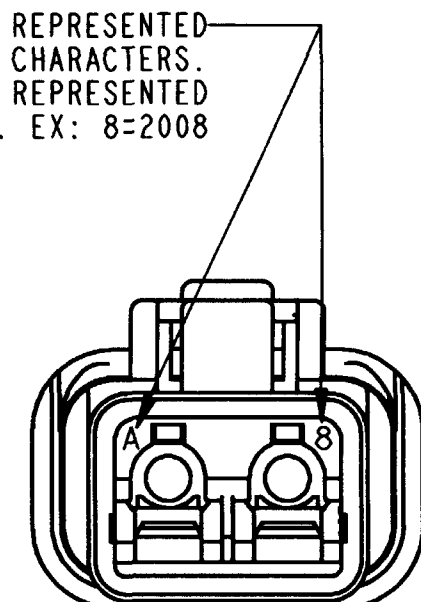


3D VIEW



| REV | | REVISIONS | | |
|-----|-----------------------------|-----------|----------|--|
| SYM | DESCRIPTION | DATE | APPROVED | |
| A | DTP06-2S-E003 | | | |
| NC | NEW RELEASE PER E.O. P16322 | 09/27/99 | R.D.R. | |
| A | REVISED PER E.O. P17085 | 1-12-01 | RDR | |

DATE CODE: MONTH IS REPRESENTED BY SEQUENTIAL ALPHA CHARACTERS. EX: A=JANUARY; YEAR IS REPRESENTED BY LAST NUMERICAL DIGIT. EX: 8=2008



6. MATERIAL: HOUSING: PLASTIC; GROMMET: RUBBER
 5. THIS PLUG MATES WITH DTP04-2P-**** RECEPTACLE. (**** = ALL MODIFICATIONS)
 4. FOR CONTACT AND WIRE PERFORMANCE AND APPLICATION CHARACTERISTICS SEE ENVELOPE DRAWING 0425-015-0000.
 3. SECONDARY WEDGE LOCK SOLD SEPARATELY, WP-2S.
 2. DIMENSION TOLERANCE: $\pm .025$ [.64].
 1. DIMENSIONS ARE IN INCHES [mm].
- NOTES: UNLESS OTHERWISE SPECIFIED

| CONTACT SIZE | MIN. INSUL. O.D. | MAX. INSUL. O.D. | WIRE RANGE [mm ²] REF ONLY | |
|--------------|------------------|------------------|--|--|
| 12 | .134 [3.40] | .170 [4.32] | 12-14 AWG [3.0-2.0] | |

| SIGNATURE & DATE | |
|------------------|------------------------------|
| DR | S. THEIS 9/22/99 |
| CHK | <i>[Signature]</i> JAN-19-01 |
| PE | <i>[Signature]</i> 1/9/01 |
| APPD | <i>[Signature]</i> 1/9/01 |
| SCALE | NONE |

PLUG W/ CAP
2 CONTACTS, SIZE 12
COLOR: GREY
-E003 MOD
DTP SERIES

ENVELOPE

| CP | MATL. CODE |
|---|-------------------------|
| The Deutsch Company DEUTSCH I.P.D. 3850 INDUSTRIAL AVE. HEMET, CALIF. 92545 | |
| B | DTP06-2S-E003 |
| DWG SIZE | CODE 11139 SHEET 1 OF 1 |